



Stabilized Connectors

Note: Shown with flange adaptor for round installations.



Non-stabilized Connector

SZ SERIES

- Slotted bolt holes allow for 2-1/8" and 2-1/4" bolt spacings
- Designed to reinforce the entire installation by shifting radial-stress load away from the NPT connections
- Available in 3-3/8" and 5" lengths
- Optional dielectric barrier creates a non-conductive shield between the instrument and the orifice fitting

SPECIFICATIONS

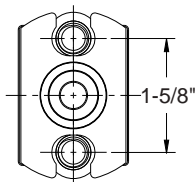
Materials	Zinc-Nickel plated Carbon Steel, 316 Stainless Steel*
Bolts	Carbon Steel
Connection	1/2" NPT-flange
Pressure rating	10,000 psi at 200 °F
Orifice	0.375"
Weight	Approximately 3.3 lb. (Short stabilized) Approximately 4.5 lb. (Long stabilized) Approximately 2.9 lb. (Non-stabilized)

* All 316SS products meet the requirements of NACE MR0175/ISO 15156-3.

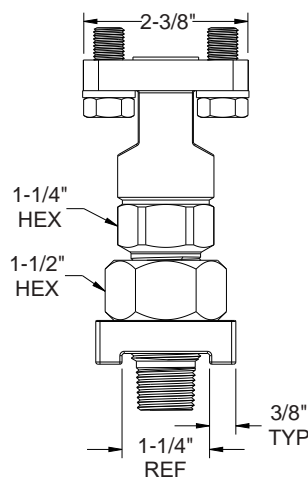
⚠ WARNING: This product can expose you to chemicals including Lead and Nickel, which are known to the State of California to cause cancer and birth defects or other reproductive harm. For more information go to www.P65Warnings.ca.gov

Long Stabilized Connector

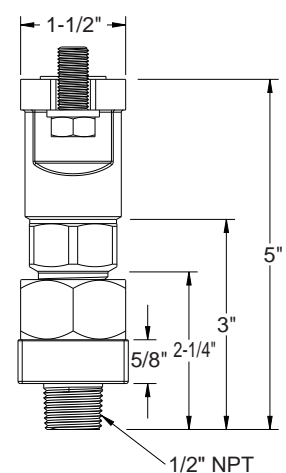
Top View



Front View



Side View



ORDERING INFORMATION			
SERIES	SZ	Connector	
MATERIALS	C	Steel	S Stainless Steel
CONNECTOR TYPES	1	Short stabilized pair*	4 Long stabilized pair with flange adaptor**
	2	Short stabilized pair, with flange adaptor**	5 Non-stabilized pair
	3	Long stabilized pair*	
OPTIONS†	DK1	One Piece Dielectric Gasket, Pair	DK2 PTFE Gasket with Dielectric Shim, Pair
	DK1-SS	One Piece Dielectric Gasket, Pair w/SS Bolts	DK2-SS PTFE Gasket with Dielectric Shim, Pair w/SS Bolts

Please consult your local NOSHOK Distributor or NOSHOK, Inc. for availability and delivery information.

† For more information on Dielectric Kits, see page 140

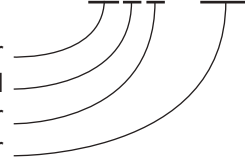
* For flat installations (orifice fitting)

** For round installations (orifice flange)

EXAMPLE

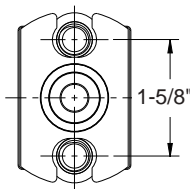
Series.....Connector
 Material.....Steel
 Connector type.....Short stabilized pair
 Option..... One piece Dielectric gasket, pair

SZC1 - DK1

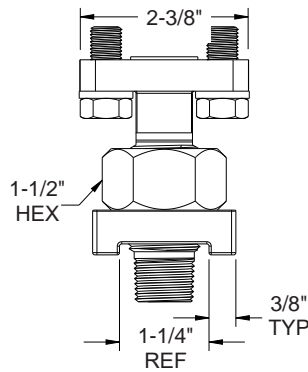


Short Stabilized Connector

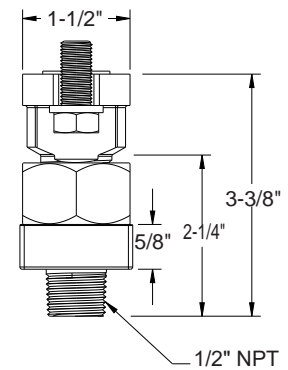
Top View



Front View

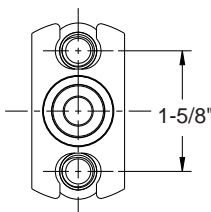


Side View

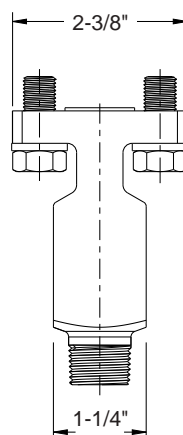


Non-Stabilized Connector

Top View



Front View



Side View

