

Soft Seat/Tip (0.375" Orifice)



5530 SERIES



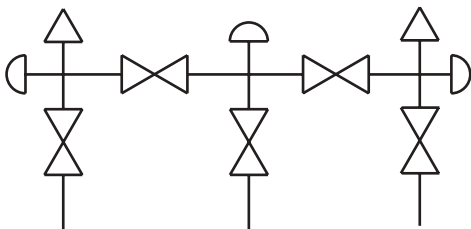
90° Angle option



Flare Pattern™ option



Flow Schematic



- Designed for use with differential pressure transmitters incorporating two isolation valves, two equalizing valves and a vent valve in natural gas applications
- Flare Pattern™ valve configuration provides maximum clearance for fingers during operation
- Soft tip valves feature a patented Acetal non-rotating soft tip stem, and a back-up metal-to-metal seal (**U.S. Patent 6,820,857**)
- Non-rotating stem tip standard on large bore isolation valves
- Available in block, single flange, or double flange connection for remote or direct installation
- 100% helium leak tested to 1×10^{-4} ml/s for performance and reliability
- Features a replaceable Acetal seat, and straight through porting for bidirectional, high capacity flow and easy roddable cleaning on the block valves
- Blow-out proof stem provides a secondary stem seal in the full open position
- FKM o-ring seal and PTFE back-up ring below the stem threads to protect from corrosion and galling
- All stem threads are rolled for strength and ease of operation
- One-piece bonnet with a metal-to-metal seal to the valve body below the bonnet threads
- Slotted spring pin to prevent accidental loosening
- Color coded vinyl dust caps for bonnets and stems

SPECIFICATIONS

Materials	Zinc-Nickel plated carbon Steel, electropolished 316 Stainless Steel*
Connections	Flange-flange 1/2" NPT-flange 1/2" NPT-1/2" NPT Flange-flange 90° angle
Pressure ratings	6,000 psi @ 200 °F
Orifice size	0.375"
Flow coefficient	C_v 3.0
Stem seal & type	All 316 Stainless Steel stems with FKM o-ring and PTFE back-up ring below the threads
Additional features	Two static (test) ports, color coded vinyl bonnet and stem dust cap, patented soft tip stem design on equalizing and vent valves
Weight	Approximately 5.8 lb. without flange Approximately 7.5 lb. with flange 90° Angle version approximately 9.4 lb.

* All 316SS products meet the requirements of NACE MR0175/ISO 15156-3.

WARNING: This product can expose you to chemicals including Lead and Nickel, which are known to the State of California to cause cancer and birth defects or other reproductive harm. For more information go to www.P65Warnings.ca.gov

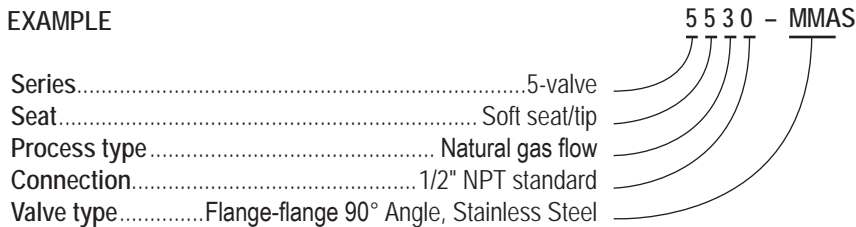
NOTE: All NOSHOK valve products conform to the MSS SP-99 instrument valves standards, and valves supplied with packing also conform to MSS SP-132 compression packing systems for instrument valves standard.

SERIES	5 5-valve					
SEAT	5 Soft seat/tip 0.375" orifice					
PROCESS TYPE	3 Natural gas flow					
CONNECTION	0 1/2" NPT standard or flange					
VALVE TYPES	MFC	Flange-Female, Steel	FFS	Female-Female, Stainless Steel	MMS	Flange-Flange, Stainless Steel
	FFC	Female-Female, Steel	MMC	Flange-Flange, Steel	MMAS*	Flange-Flange 90° Angle, Stainless Steel
	MFS	Flange-Female, Stainless Steel	MMAC*	Flange-Flange 90° Angle, Steel		

Please consult your local NOSHOK Distributor or NOSHOK, Inc. for availability and delivery information.

* Only available in Flare Pattern™ configuration.

EXAMPLE



To meet all of your specific application requirements, the following additional options are available for these manifold valves. To order all or any of these options, simply add them to the part number as follows:

ORDERING INFORMATION - ADDITIONAL OPTIONS			
BODY CONFIGURATION	FP	Flare Pattern™	
SOFT SEATS	PK1	PEEK	KF1 PCTFE
O-RINGS*	EM1	EPDM	KZ1 FFKM (Perfluoroelastomer) NB1 NBR
HANDLES	HL3	1" Round knurled	HL4 1-3/8" Phenolic

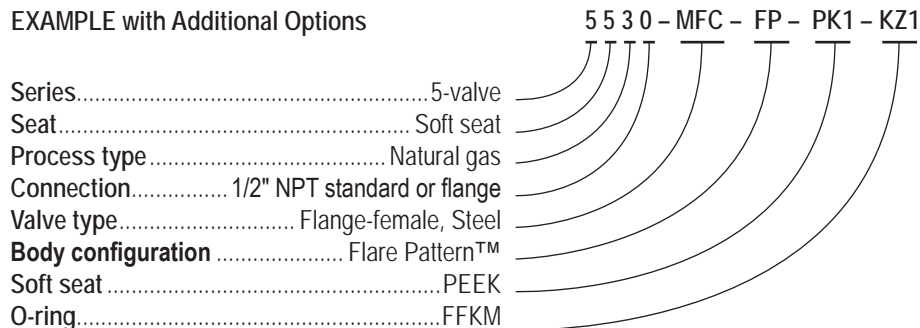
Please consult your local NOSHOK Distributor or NOSHOK, Inc. for availability and delivery information.

* Other o-ring materials available on request.

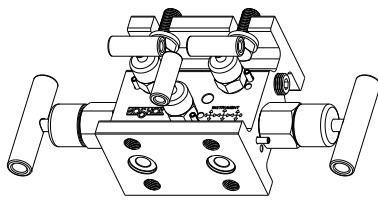
Please note that the standard o-ring in all the NOSHOK valves is FKM and the standard handles are isolation "T" handles (HL8) and equalizing/vent 1-3/8" mini "T" handles (HL7).

The handle material will always match the material of the valve, unless otherwise specified. For example, the "T" handle on the 5530-MFC will be Steel. When only the standard configuration is needed, no additional designations are necessary. Please consult the factory for special application requests.

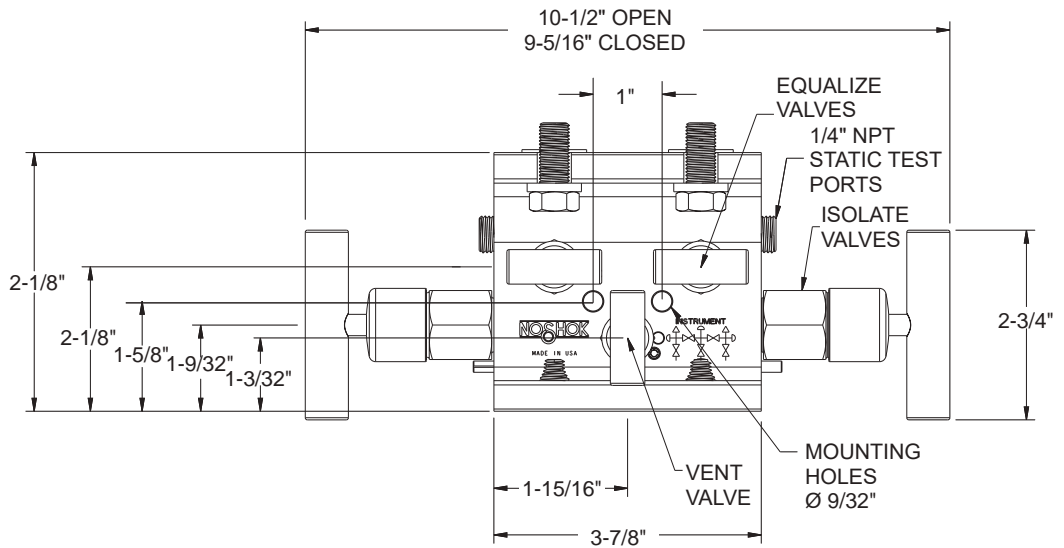
EXAMPLE with Additional Options



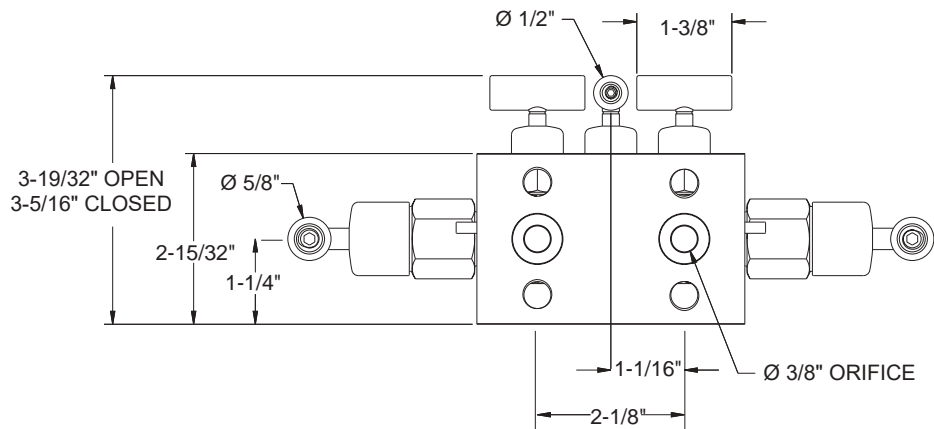
Flange-Flange



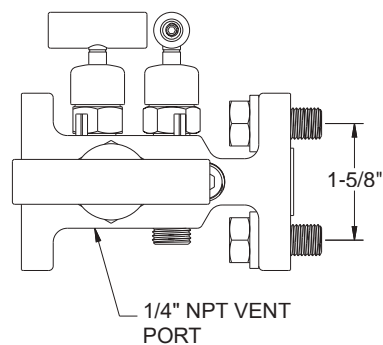
Top View



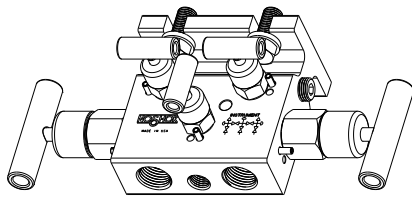
Front View



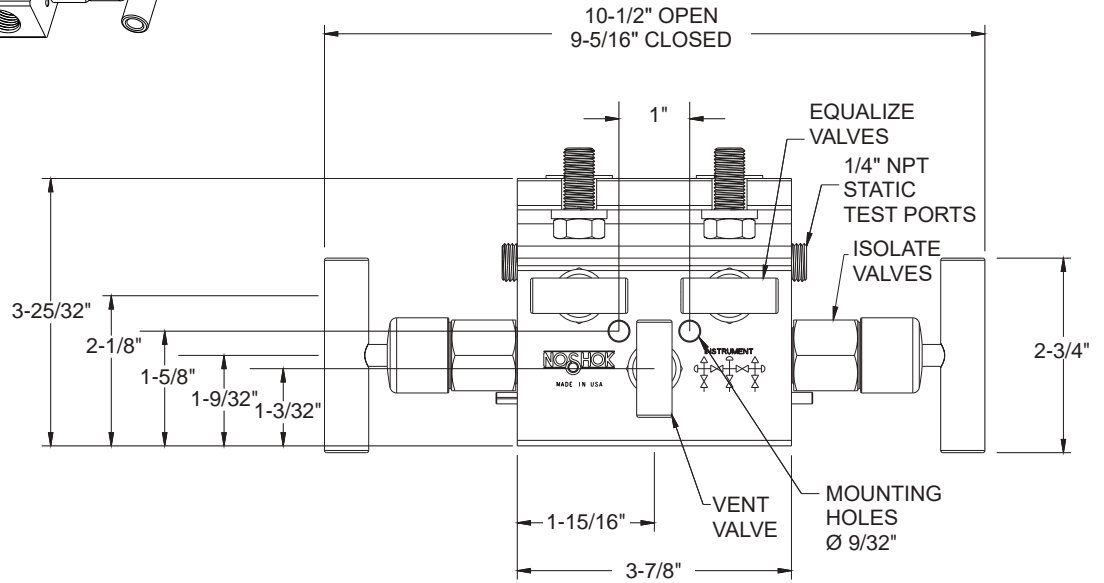
Side View



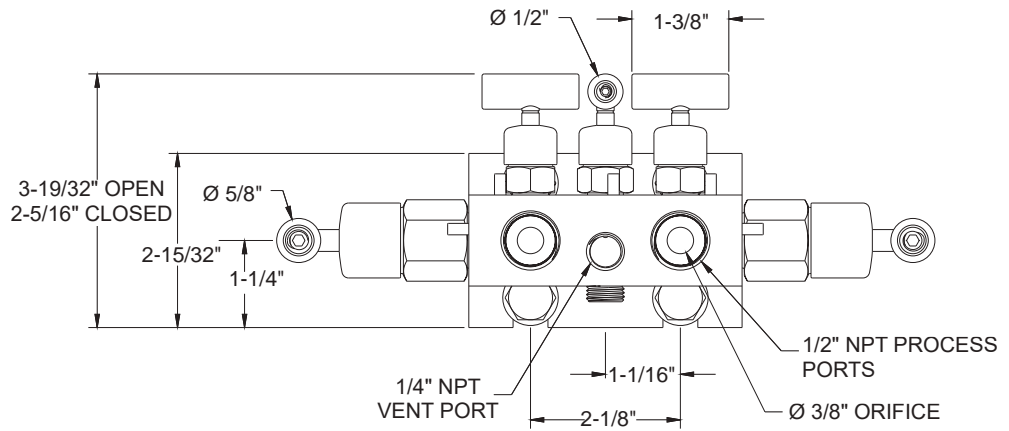
Flange-Female



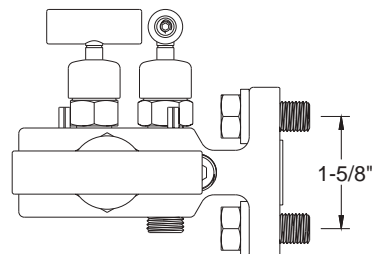
Top View



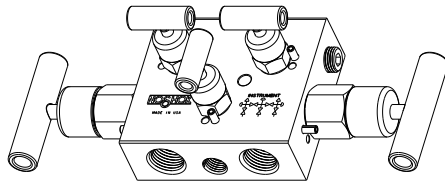
Front View



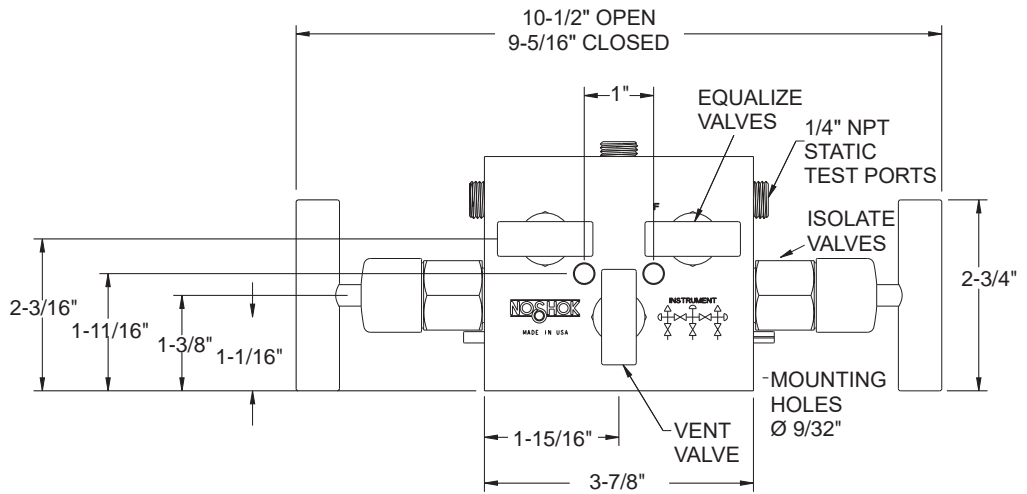
Side View



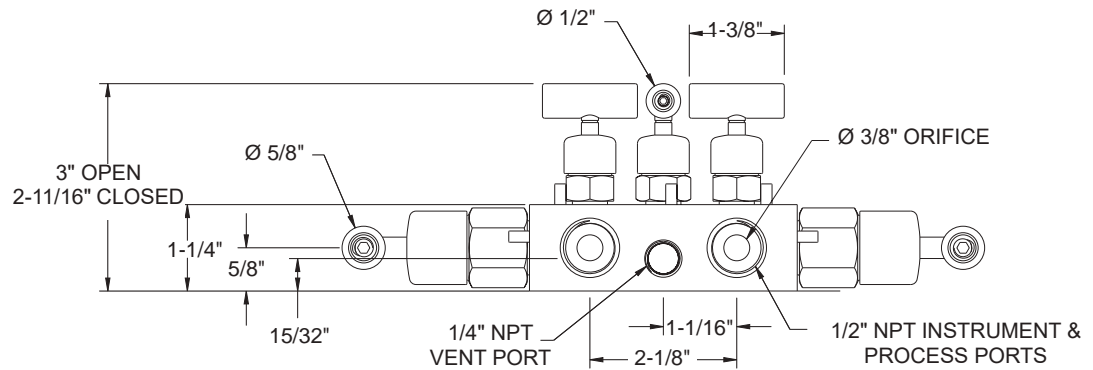
Female-Female



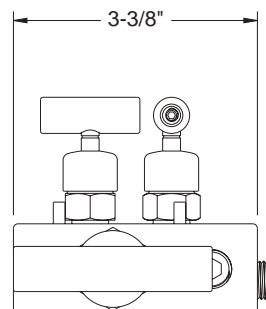
Top View



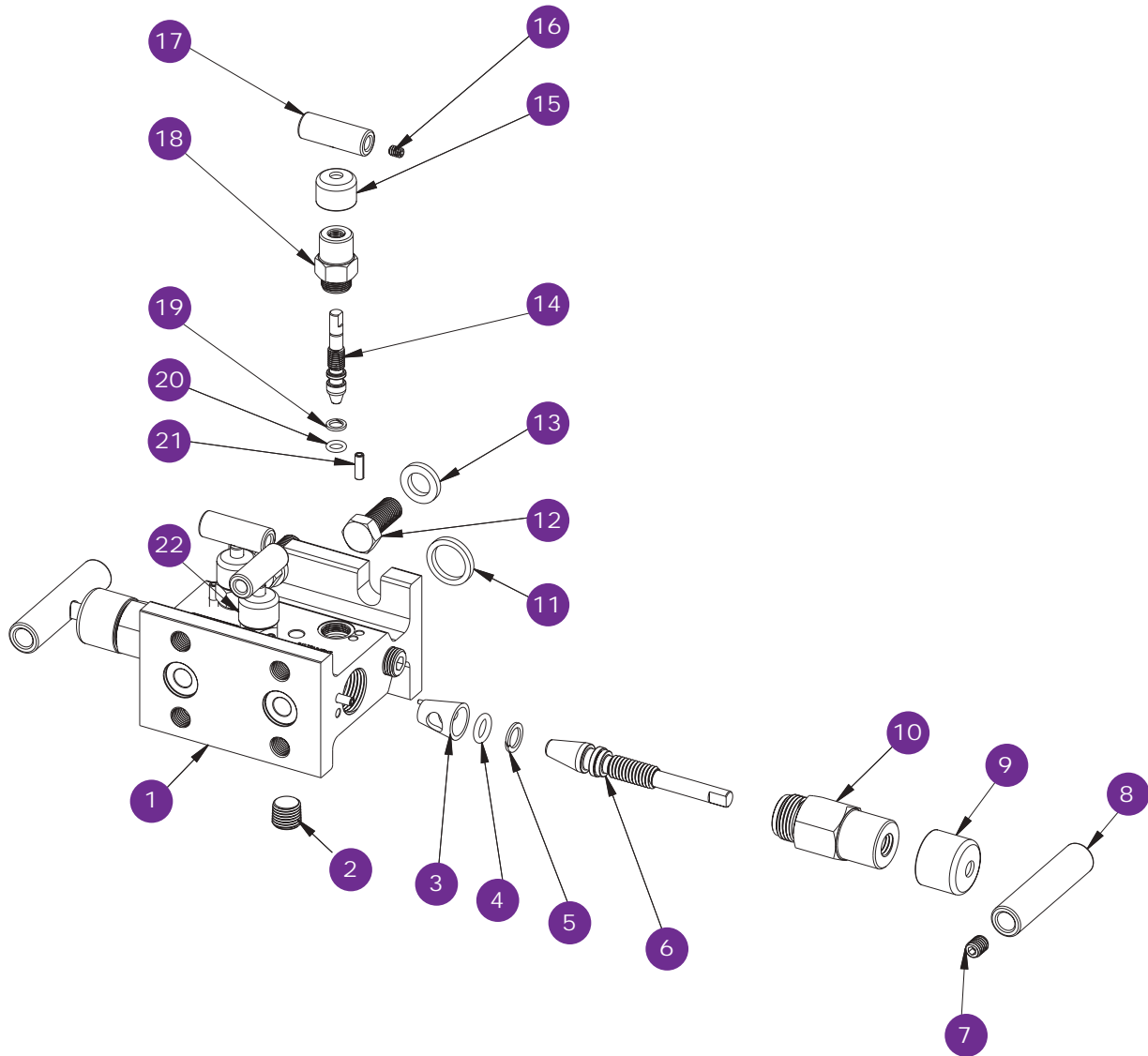
Front View



Side View

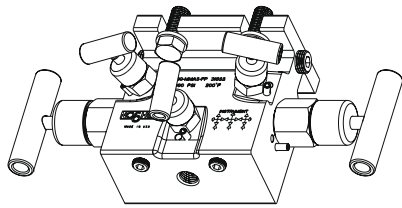


For panel mount or packing dimensions, see pg. 66.

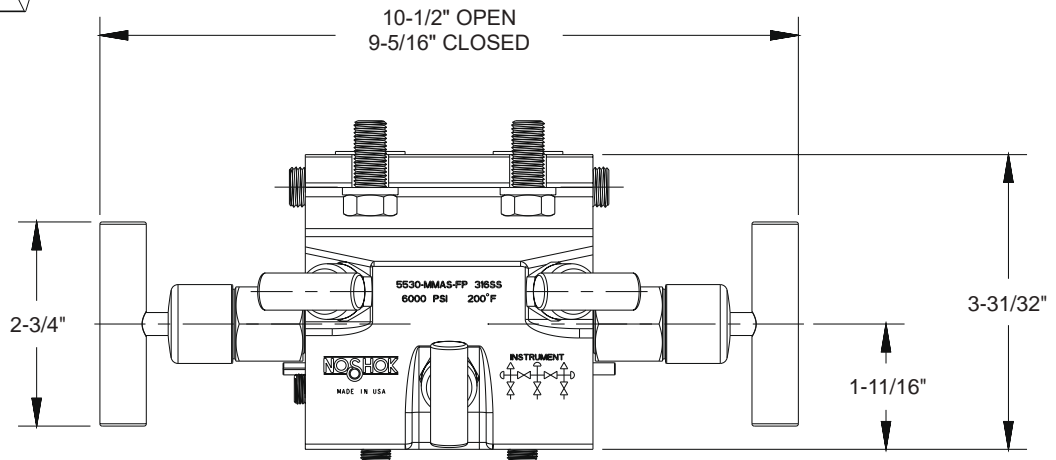


- | | |
|---------------------|--------------------------|
| 1 Valve body | 12 Head bolt |
| 2 Plug | 13 Washer |
| 3 Acetal seat | 14 Soft tip stem |
| 4 FKM o-ring | 15 Green dust cap |
| 5 PTFE back-up ring | 16 Set screw |
| 6 Non-rotating stem | 17 Mini valve "T" handle |
| 7 Set screw | 18 Mini valve bonnet |
| 8 Valve "T" handle | 19 PTFE back-up ring |
| 9 Blue dust cap | 20 FKM o-ring |
| 10 Valve bonnet | 21 Slotted spring pin |
| 11 Gasket ring | 22 Red dust cap |

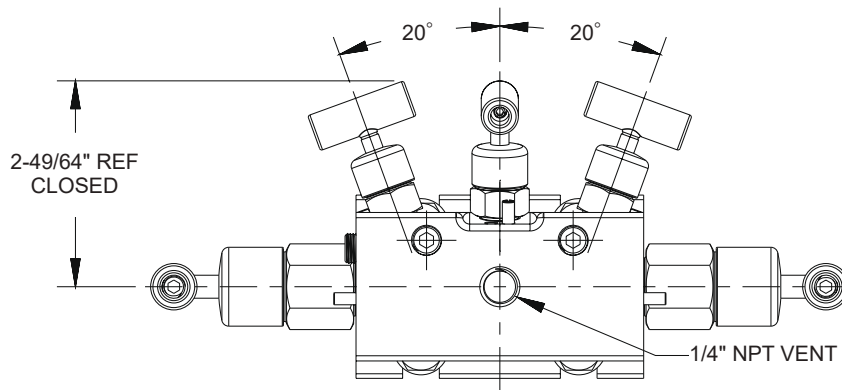
Flange-Flange 90° Angle



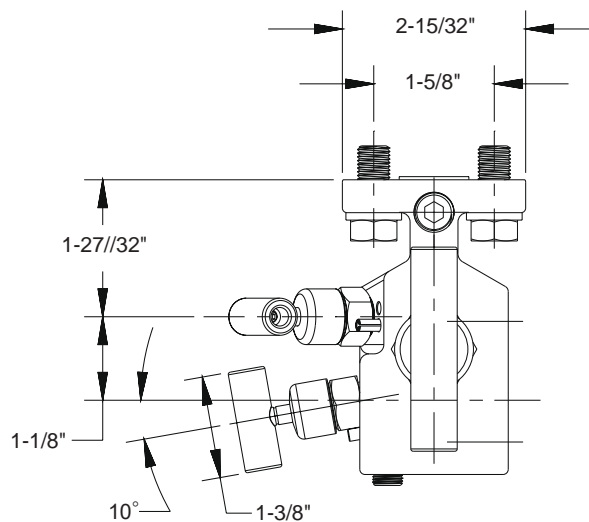
Top View

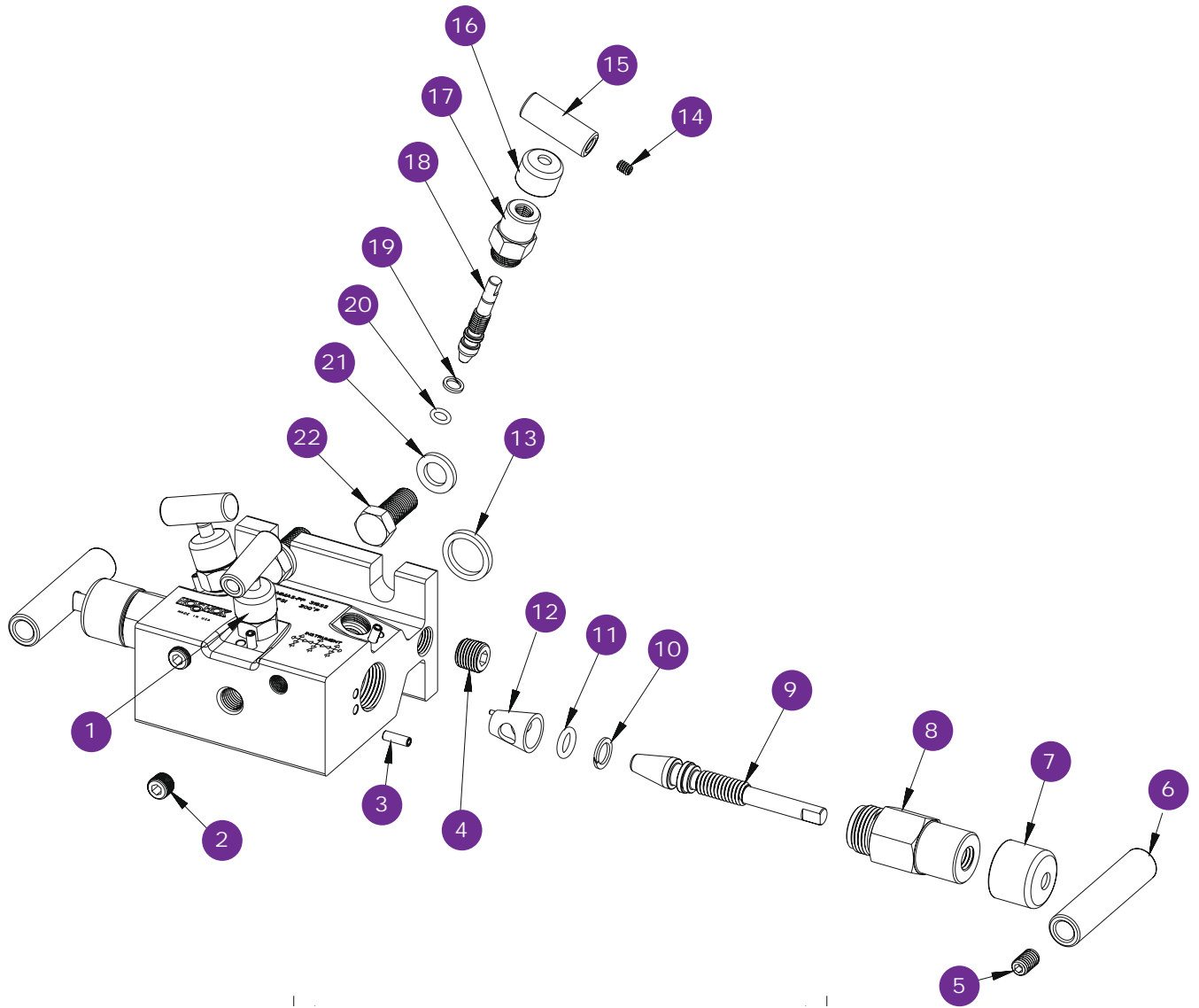


Front View



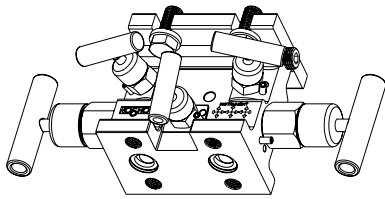
Side View



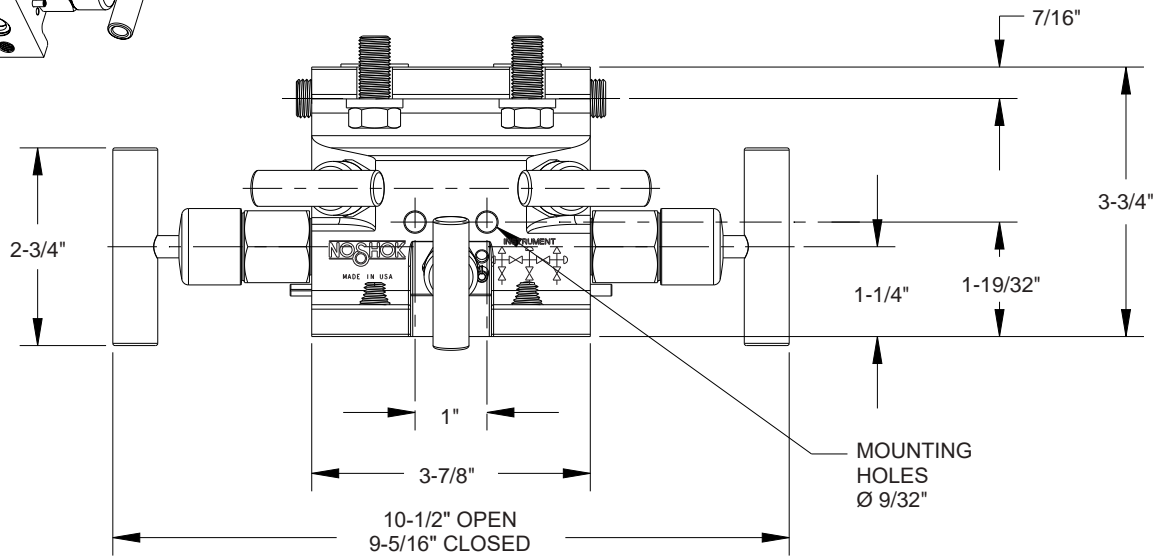


- | | |
|----------------------|--------------------------|
| 1 Red dust cap | 13 Gasket ring |
| 2 Plug | 14 Set screw |
| 3 Slotted spring pin | 15 Mini valve "T" handle |
| 4 Plug | 16 Green dust cap |
| 5 Set screw | 17 Mini valve bonnet |
| 6 Valve "T" handle | 18 Soft tip stem |
| 7 Blue dust cap | 19 PTFE back-up ring |
| 8 Valve bonnet | 20 FKM o-ring |
| 9 Non-rotating stem | 21 Washer |
| 10 PTFE back-up ring | 22 Head bolt |
| 11 FKM o-ring | |
| 12 Acetal seat | |

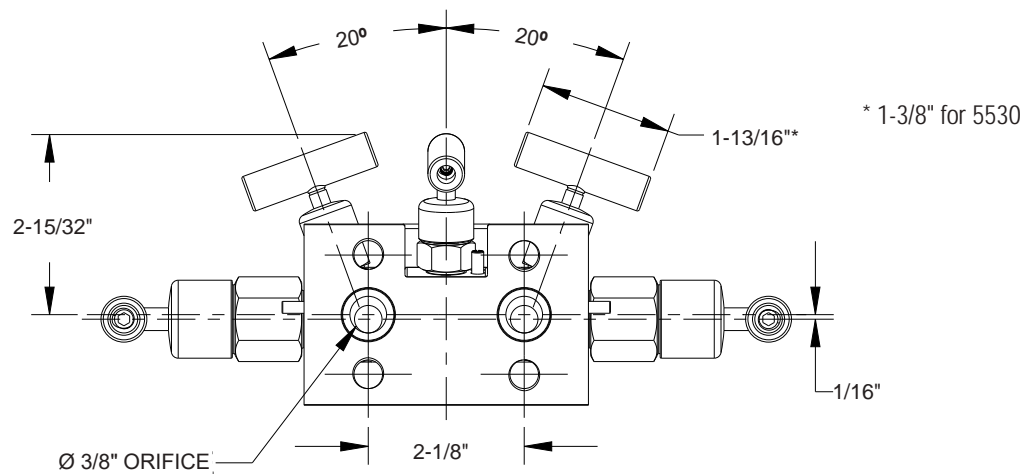
Flare Pattern™ Flange-Flange



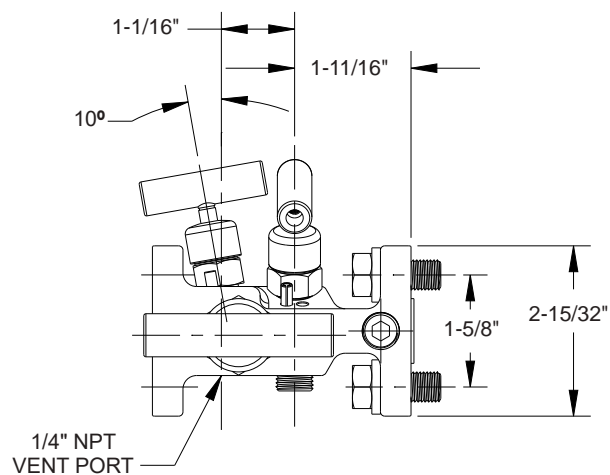
Top View



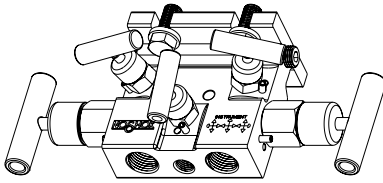
Front View



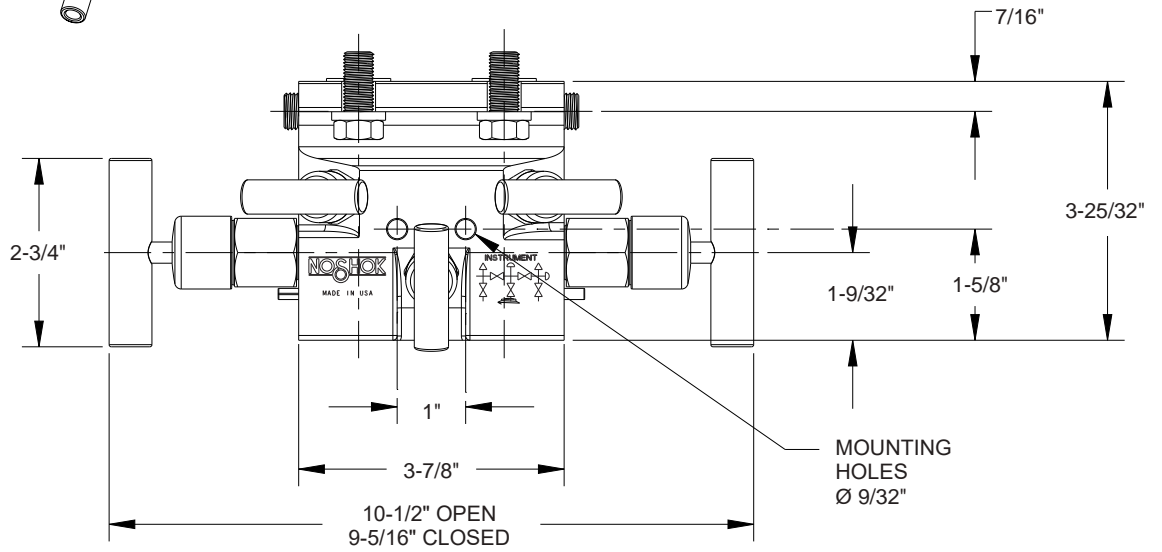
Side View



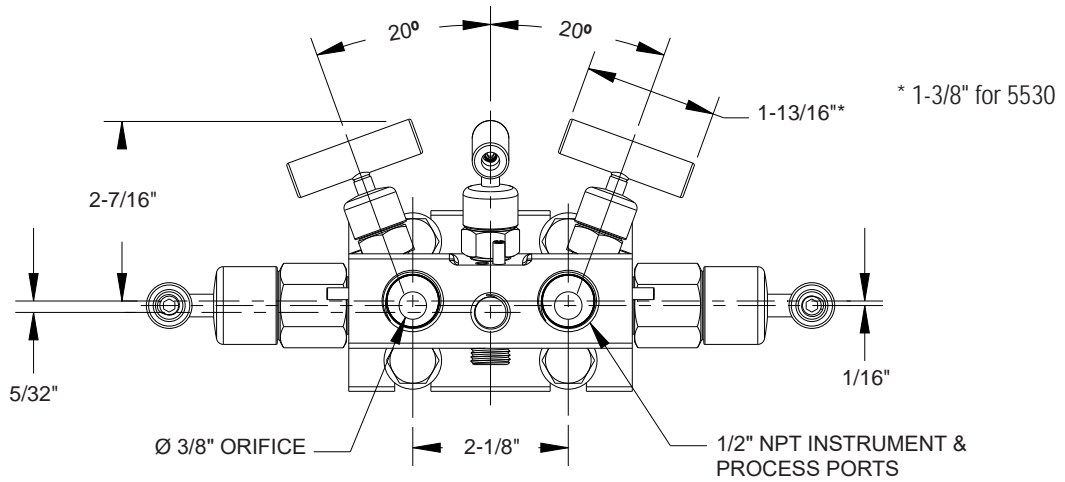
Flare Pattern™ Flange-Female



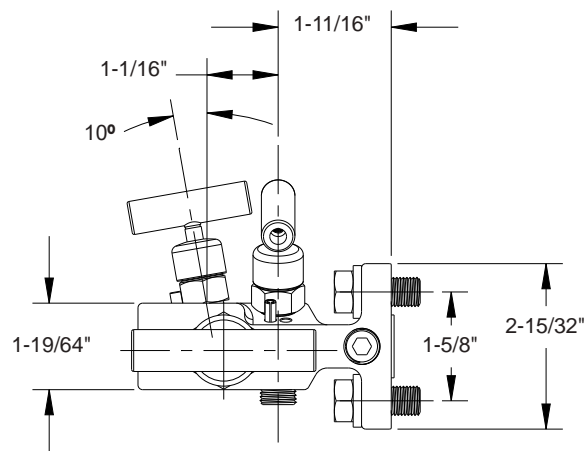
Top View

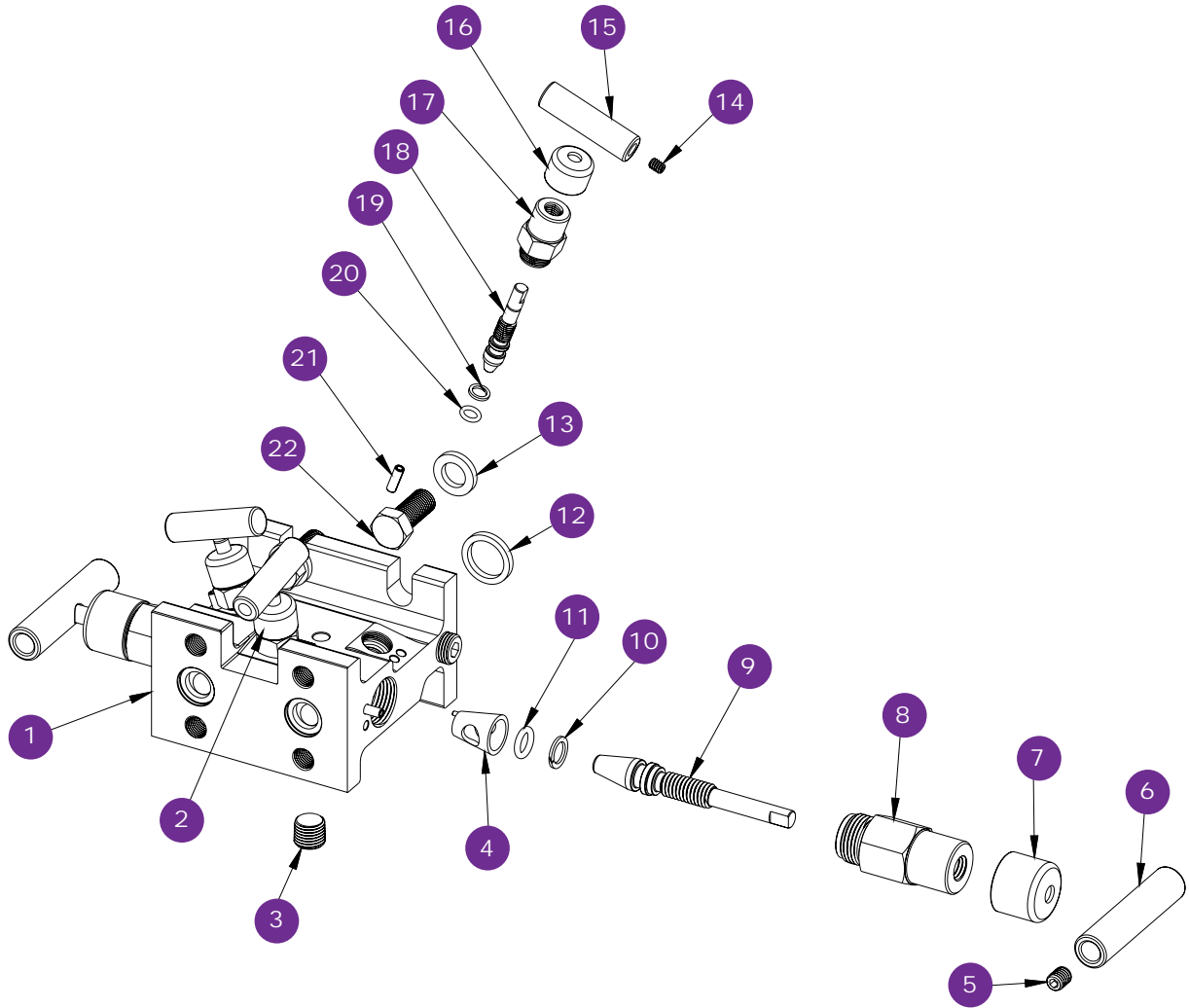


Front View



Side View





- | | |
|-----------------------------|--------------------------|
| 1 Flare Pattern™ valve body | 12 Gasket ring |
| 2 Red dust cap | 13 Washer |
| 3 Plug | 14 Set screw |
| 4 Acetal seat | 15 Mini valve "T" handle |
| 5 Set screw | 16 Green dust cap |
| 6 Valve "T" handle | 17 Mini valve bonnet |
| 7 Blue dust cap | 18 Soft tip stem |
| 8 Valve bonnet | 19 PTFE back-up ring |
| 9 Non-rotating stem | 20 FKM o-ring |
| 10 PTFE back-up ring | 21 Slotted spring pin |
| 11 FKM o-ring | 22 Head bolt |