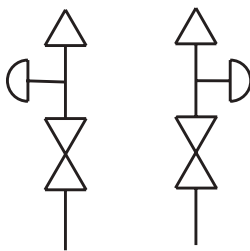


3510 SERIES



- Designed for use with differential pressure transmitters incorporating two isolation valves and an equalizing valve in differential pressure measurement
- Available in block, single flange, or double flange connection for remote or direct installation
- 100% helium leak tested to 1×10^{-4} ml/s for performance and reliability
- Features a replaceable Acetal seat, and straight through porting for bidirectional, high capacity flow and easy roddable cleaning
- Blow-out proof stem provides a secondary stem seal in the full open position
- FKM o-ring seal and PTFE back-up ring below the stem threads to protect from corrosion and galling
- All stem threads are rolled for strength and ease of operation
- One-piece bonnet with a metal-to-metal seal to the valve body below the bonnet threads
- Slotted spring pin to prevent accidental loosening
- Color coded vinyl dust caps for bonnets and stems
- Non-rotating stem tip standard on isolation valves

Flow Schematic



SPECIFICATIONS

Materials	Zinc-Nickel plated Steel, electropolished 316 Stainless Steel*
Connection	Flange-flange, 1/2" NPT-flange, 1/2" NPT-1/2" NPT
Pressure ratings	6,000 psi @ 200 °F
Orifice size	0.375"
Flow coefficient	C_v 3.0
Stem seal & type	All 316 Stainless Steel stems with FKM o-ring and PTFE back-up ring below the threads
Options	Panel mountings, o-ring materials, handles, packings, regulating stem and stem tips
Weight	Approximately 6.5 lb.

* All 316SS products meet the requirements of NACE MR0175/ISO 15156-3.

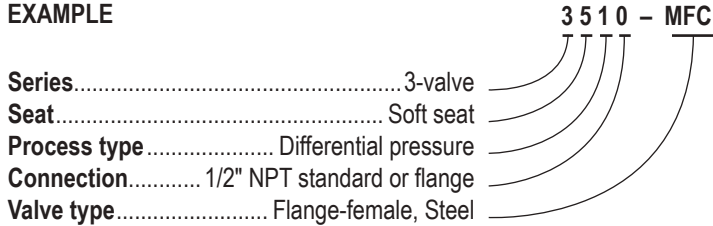
WARNING: This product can expose you to chemicals including Lead and Nickel, which are known to the State of California to cause cancer and birth defects or other reproductive harm. For more information go to www.P65Warnings.ca.gov

NOTE: All NOSHOK valve products conform to the MSS SP-99 instrument valves standards, and valves supplied with packing also conform to MSS SP-132 compression packing systems for instrument valves standard.

SERIES	3 3-valve					
SEAT	5 Soft seat, 0.375" orifice					
PROCESS TYPE	1 Differential pressure					
CONNECTION	0 1/2" NPT standard or flange					
VALVE TYPES	MFC	Flange-Female, Steel	MFS	Flange-Female, Stainless Steel	MMC	Flange-Flange, Steel
	FFC	Female-Female, Steel	FFS	Female-Female, Stainless Steel	MMS	Flange-Flange, Stainless Steel

Please consult your local NOSHOK Distributor or NOSHOK, Inc. for availability and delivery information.

EXAMPLE



To meet all of your specific application requirements, the following **additional options** are available for these manifold valves. To order all or any of these options, simply add them to the part number as follows:

ORDERING INFORMATION - ADDITIONAL OPTIONS					
SOFT SEATS	PK1	PEEK	KF1	PCTFE	
O-RINGS*	EM1	EPDM	KZ1	FFKM (Perfluoroelastomer)	NB1 NBR
HANDLES	HL3	1" Round knurled	HL4	1-3/8" Phenolic	HL5 1-3/4" Phenolic

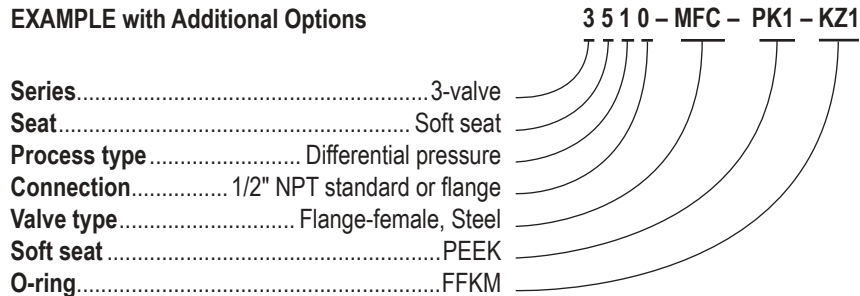
Please consult your local NOSHOK Distributor or NOSHOK, Inc. for availability and delivery information.

* Other o-ring materials available on request.

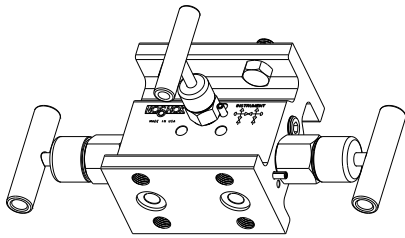
Please note that the standard o-ring in all the NOSHOK valves is FKM and the standard handles are isolation "T" handles (HL8) and equalizing "T" handles (HL2).

The handle material will always match the material of the valve, unless otherwise specified. For example, the "T" handle on the 3510-MFC will be Steel. When only the standard configuration is needed, no additional designations are necessary. Please consult the factory for special application requests.

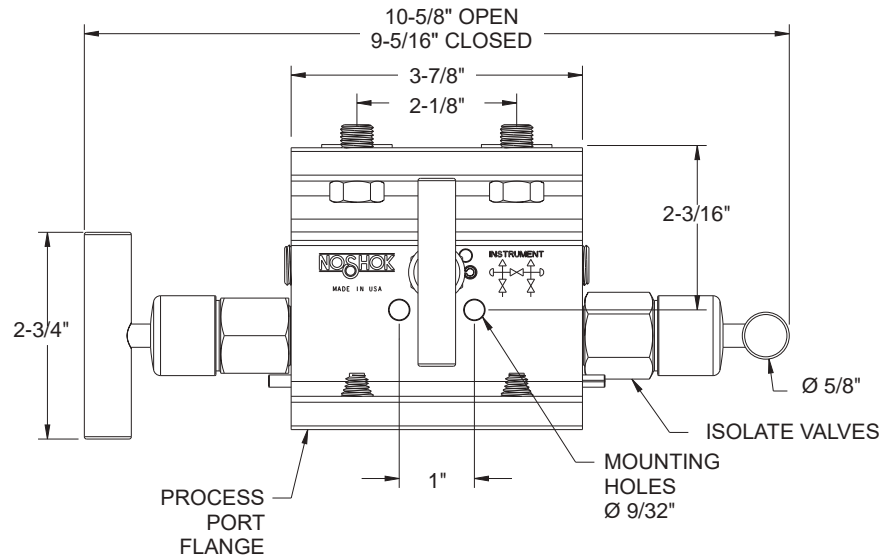
EXAMPLE with Additional Options



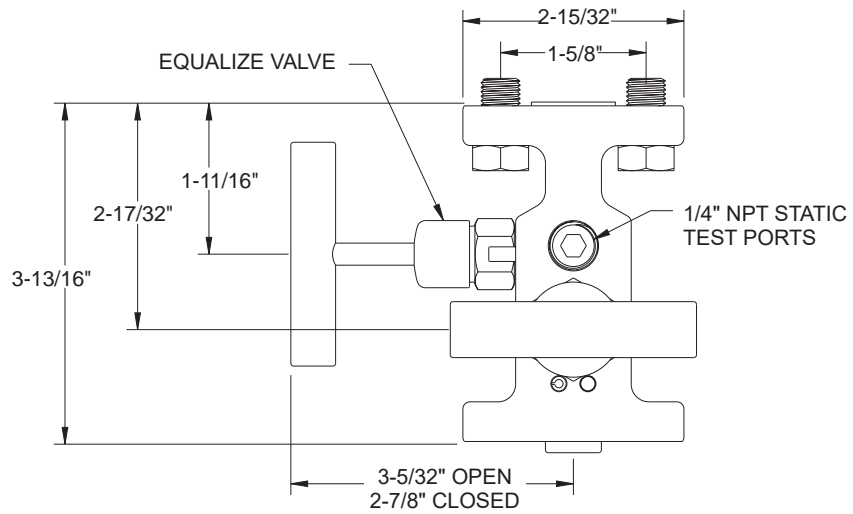
Flange-Flange



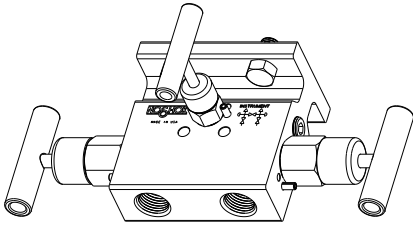
Top View



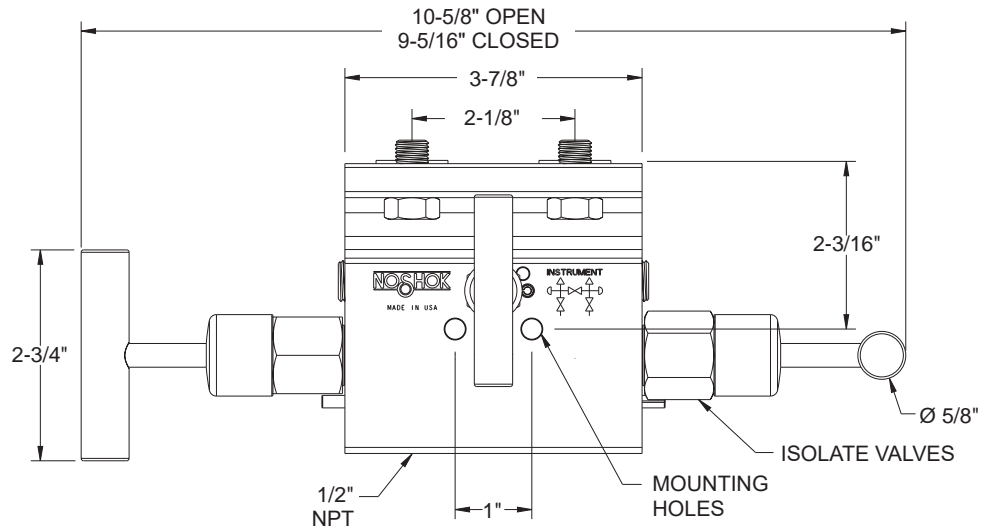
Side View



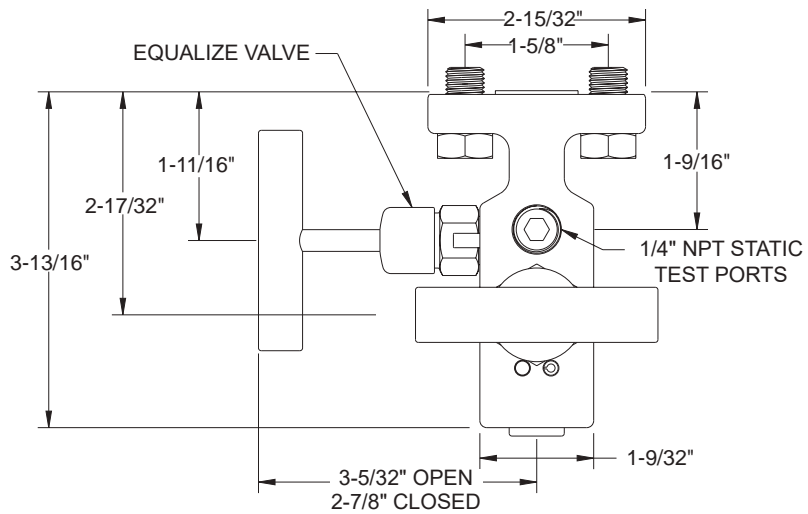
Flange-Female



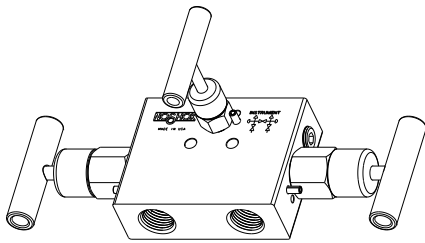
Top View



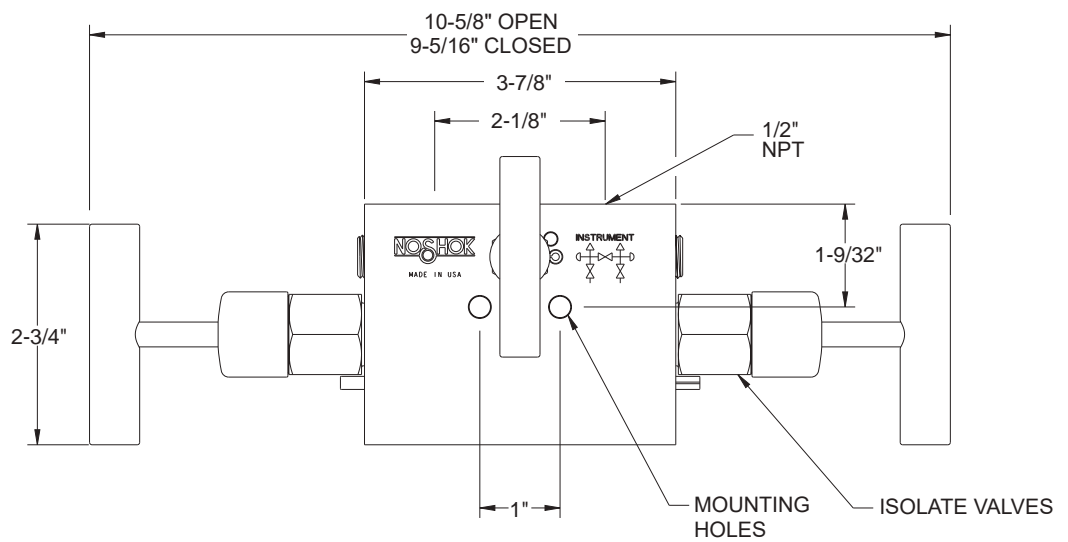
Side View



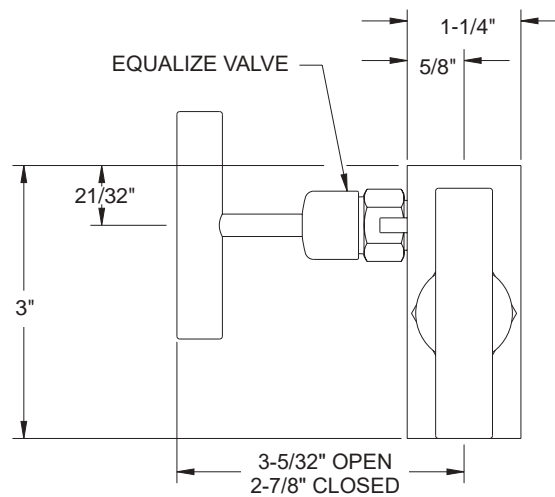
Female-Female



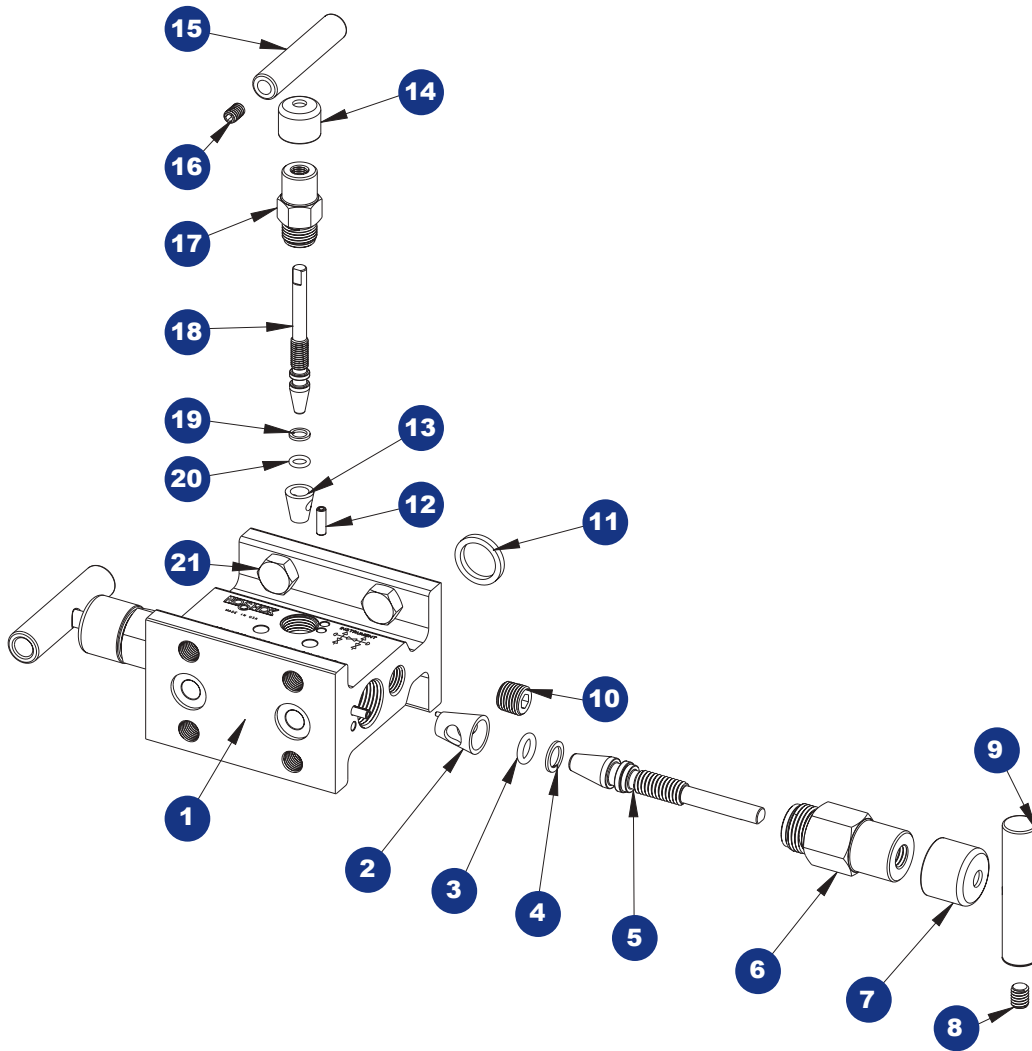
Top View



Side View



For panel mount or packing dimensions, see pg. 66.



- | | |
|------------------------------|-----------------------|
| 1 Valve body | 12 Slotted spring pin |
| 2 Acetal seat | 13 Acetal seat |
| 3 FKM o-ring | 14 Green dust cap |
| 4 PTFE back-up ring | 15 Valve "T" handle |
| 5 Non-rotating stem assembly | 16 Set screw |
| 6 Valve bonnet | 17 Valve bonnet |
| 7 Blue dust cap | 18 Valve stem |
| 8 Set screw | 19 PTFE back-up ring |
| 9 Valve "T" handle | 20 FKM o-ring |
| 10 Plug | 21 Head bolt |
| 11 Gasket ring | |