



# 1100 SERIES

- Simple, rugged, compact differential pressure gauge
- Ranges from 0 inH<sub>2</sub>O to 20 inH<sub>2</sub>O through 0 psid to 100 psid
- 2-1/2", 4-1/2" and 6" gauge sizes
- Engineered plastic gauge case
- Black anodized Aluminum housing, 316 Stainless Steel optional

## APPLICATIONS

- Heat exchangers
- Filter monitoring
- Flow indication
- Level indication

## SPECIFICATIONS

<b>Pressure ranges</b>	0 inH <sub>2</sub> O to 20 inH <sub>2</sub> O through 0 psid to 100 psid
<b>Max. working static pressure</b>	Aluminum & Stainless Steel 3,000 psig; Brass 1,500 psig
<b>Accuracy</b>	±3/2/3% of full scale on rising pressure
<b>Temperature ranges (Including switch option)</b>	Media -40 °F to 200 °F (-40 °C to 93 °C) Ambient -40 °F to 200 °F (-40 °C to 93 °C) Storage -40 °F to 200 °F (-40 °C to 93 °C)
<b>Temperature ranges (4-20 mA transmitter option)</b>	Ambient -20 °F to 150 °F (-29 °C to 66 °C)
<b>Measuring element</b>	316 Stainless Steel, PTFE and ceramic magnet
<b>O-ring &amp; diaphragm material</b>	NBR
<b>Connection</b>	1/4" NPT female, back connection
<b>Sensor housing material</b>	Black anodized Aluminum
<b>Case</b>	Engineered plastic
<b>Bezel</b>	Engineered plastic
<b>Lens</b>	Shatter-resistant acrylic
<b>Pointer</b>	Balanced Aluminum, black finish
<b>Dial</b>	Aluminum, white background with black scale
<b>Movement</b>	Magnetic
<b>Optional switch rating</b>	SPDT, 3W, 0.25 Amp, 125 Vac/Vdc (standard) (switch adjustable range of 15-95%). Other options available, consult factory.

ORDERING INFORMATION				
GAUGE SIZES & SERIES	25 - 11 2-1/2"	45 - 11 4-1/2"	60 - 11 6"	
CONNECTION LOCATIONS	0 Dual top & bottom ***	1 Back	2 Side	3 Bottom
CONNECTION SIZE	2 1/4" NPT female	9 7/16-20 female (Back or side only)		
PRESSURE RANGES*	W20 0 inH <sub>2</sub> O to 20 inH <sub>2</sub> O	W75 0 inH <sub>2</sub> O to 75 inH <sub>2</sub> O	W400 0 inH <sub>2</sub> O to 400 inH <sub>2</sub> O	P30 0 psid to 30 psid
	W25 0 inH <sub>2</sub> O to 25 inH <sub>2</sub> O	W100 0 inH <sub>2</sub> O to 100 inH <sub>2</sub> O	P5 0 psid to 5 psid	P50 0 psid to 50 psid
	W30 0 inH <sub>2</sub> O to 30 inH <sub>2</sub> O	W135 0 inH <sub>2</sub> O to 135 inH <sub>2</sub> O	P10 0 psid to 10 psid	P60 0 psid to 60 psid
	W40 0 inH <sub>2</sub> O to 40 inH <sub>2</sub> O	W150 0 inH <sub>2</sub> O to 150 inH <sub>2</sub> O	P15 0 psid to 15 psid	P75 0 psid to 75 psid
	W50 0 inH <sub>2</sub> O to 50 inH <sub>2</sub> O	W200 0 inH <sub>2</sub> O to 200 inH <sub>2</sub> O	P20 0 psid to 20 psid	P100 0 psid to 100 psid
	W60 0 inH <sub>2</sub> O to 60 inH <sub>2</sub> O	W300 0 inH <sub>2</sub> O to 300 inH <sub>2</sub> O	P25 0 psid to 25 psid	
SENSOR HOUSING MATERIALS	A Aluminum, black	B Brass	S 316L Stainless Steel	
O-RING & DIAPHRAGM MATERIALS	2 FKM	3 NBR	4 EPDM	
CASE MATERIAL	A Aluminum (4-1/2" only)	P Engineered plastic		
LENSES	1 Shatter-resistant acrylic	2 Safety glass**	3 Maximum indicating pointer (MIP) †	
FILL FLUIDS (optional)	GY Glycerin	SL Silicone ††		
SWITCH OR TRANSMITTER TYPE & HOUSING (OPTIONAL)	3 Single switch, NEMA 4X	7 4-20 mA transmitter in NEMA 4x IP65 plastic enclosure with terminal strip (1/2" female NPT conduit connection).		
	4 Dual switch, NEMA 4X			
OPTIONS	MH (2) 1/4-20 Mounting Holes	RP Reversed Ports		
	MK5-CS Pipe Mounting Kit, Steel	ST Stainless Steel Tagging		
	MK5-SS Pipe Mounting Kit, Stainless Steel	WMK Wall Mounting Kit		

Please consult your local NOSHOK Distributor or NOSHOK, Inc. for availability and delivery information.

\* Other ranges and scales available on request.

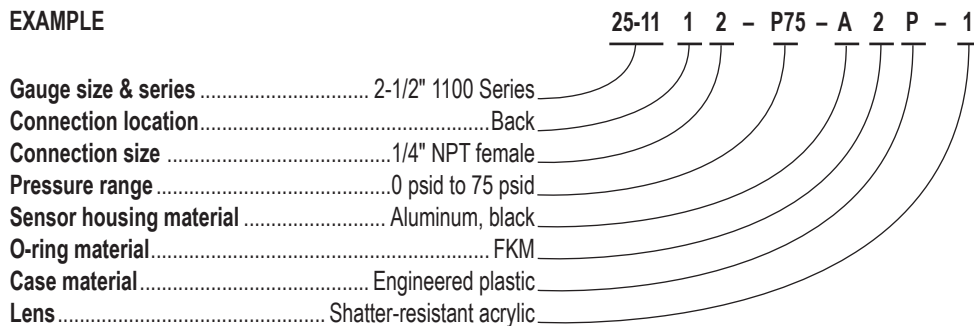
\*\* Only available with dry, 4-1/2" gauge size with Aluminum case.

\*\*\* Not available with switch or transmitter option.

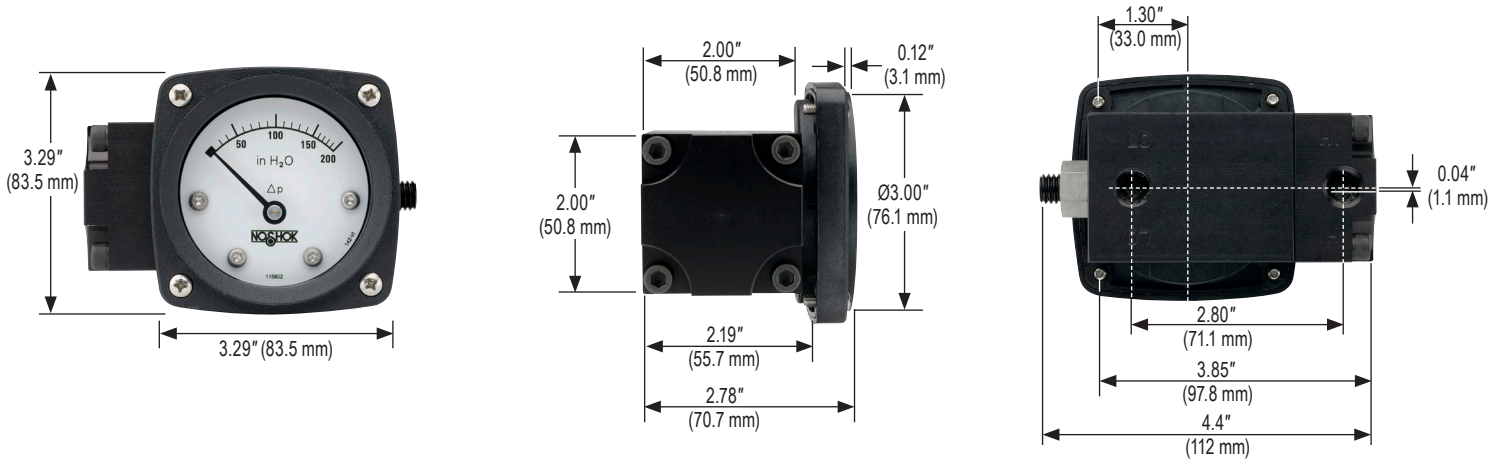
† Available with dry gauge only, 2-1/2" and 4-1/2" gauge sizes only.

†† Optional Silicone filling available with 2-1/2" and 6" gauge case sizes, and 4-1/2" gauge case size with Aluminum case and standard shatter-resistant acrylic lens only.

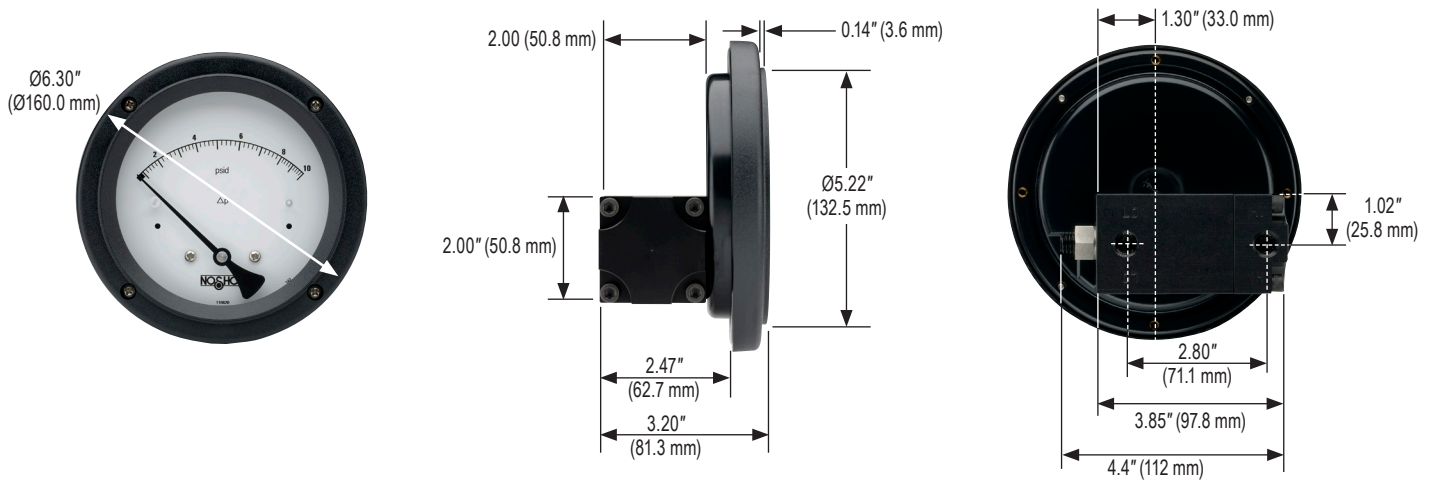
### EXAMPLE



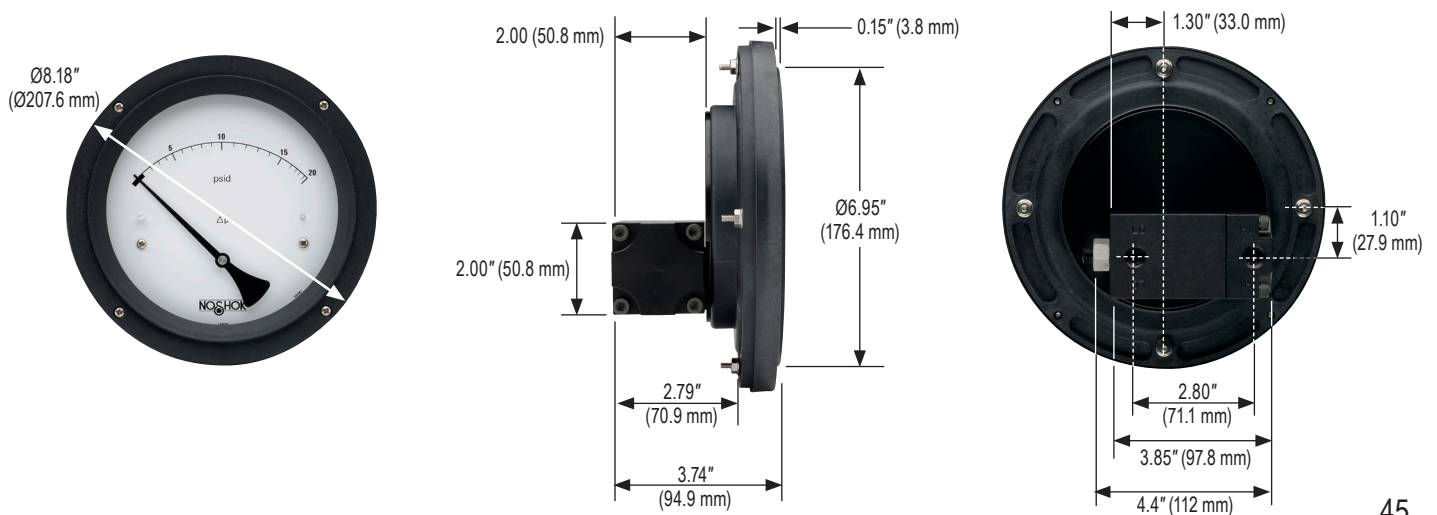
### 2-1/2" Gauge (<25 psid)



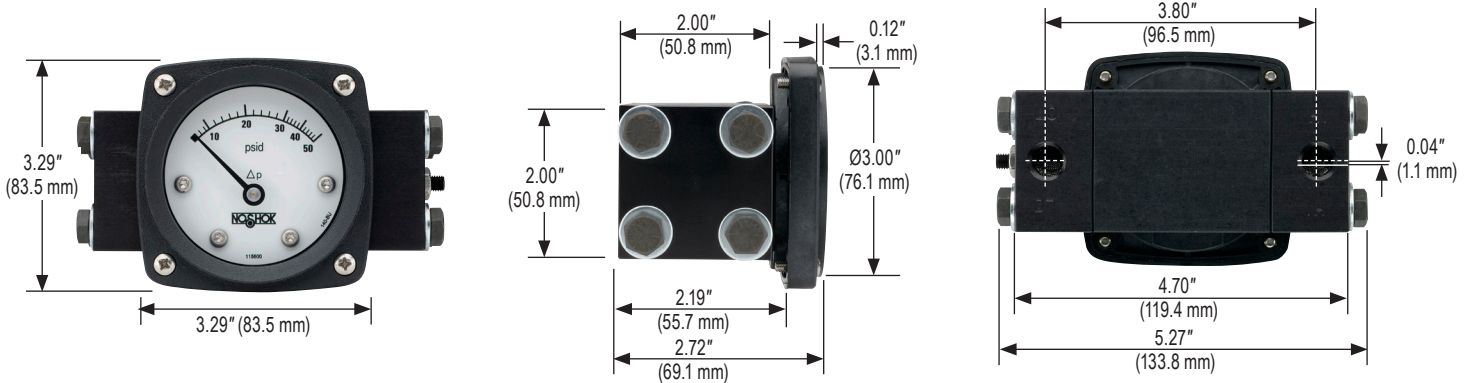
### 4-1/2" Gauge (<25 psid)



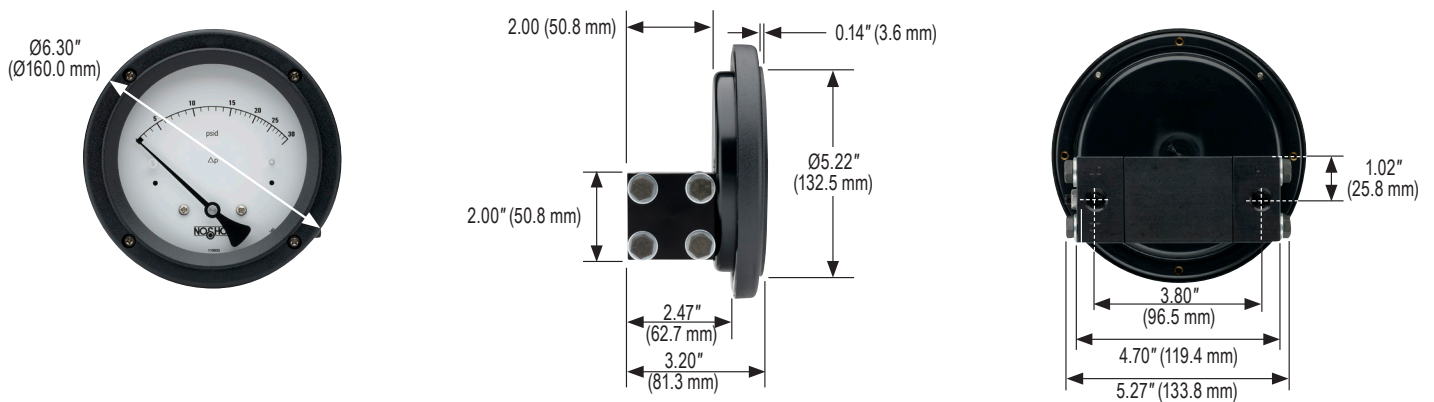
### 6" Gauge (<25 psid)



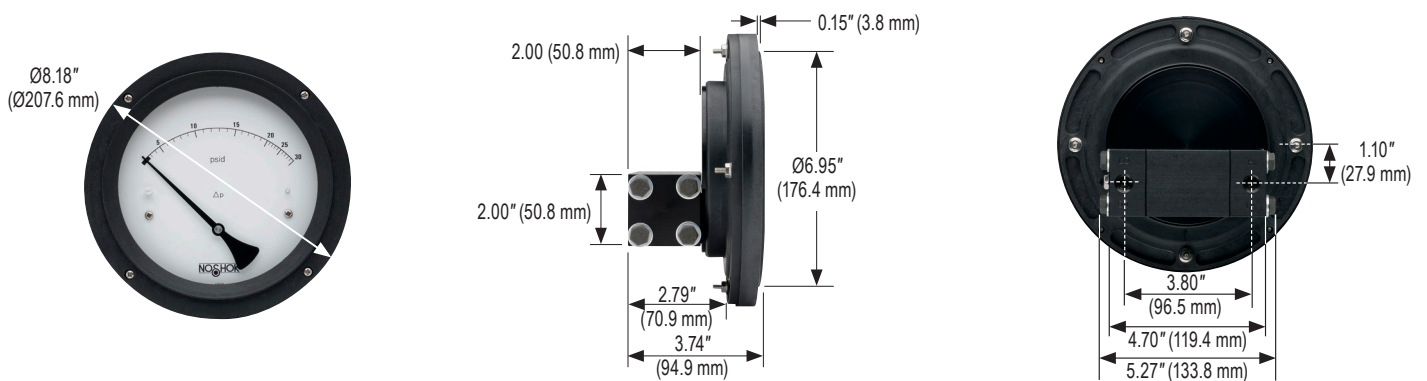
## 2-1/2" Gauge (≥25 psid)



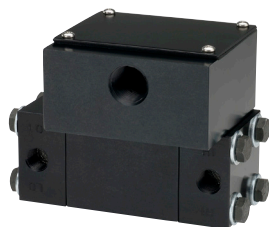
## 4-1/2" Gauge (≥25 psid)



## 6" Gauge (≥25 psid)



## 4-20 mA Transmitter in NEMA 4x Enclosure



## Single Switch in NEMA 4x Enclosure

