



# 1000 SERIES

- Simple, rugged, compact differential pressure gauge
- Ranges from 0 psid to 5 psid through 0 psid to 110 psid
- 2-1/2", 4-1/2" and 6" gauge sizes
- Engineered plastic gauge case
- Clear anodized Aluminum and 316 Stainless Steel wetted parts

## APPLICATIONS

- Heat exchangers
- Filter monitoring
- Flow indication
- Level indication

## SPECIFICATIONS

<b>Pressure ranges</b>	0 psid to 5 psid through 0 psid to 110 psid
<b>Max. working static pressure</b>	Aluminum 3,000 psig; Stainless Steel 6,000 psig
<b>Accuracy</b>	±3/2/3% of full scale on rising pressure
<b>Temperature ranges (Including switch option)</b>	Media -40 °F to 200 °F (-40 °C to 93 °C) Ambient -40 °F to 200 °F (-40 °C to 93 °C) Storage -40 °F to 200 °F (-40 °C to 93 °C)
<b>Temperature ranges (4-20 mA transmitter option)</b>	Ambient -20 °F to 150 °F (-29 °C to 66 °C)
<b>Measuring element</b>	316 Stainless Steel and ceramic piston/magnet
<b>O-ring material</b>	NBR
<b>Connection</b>	1/4" NPT female, back connection
<b>Sensor housing material</b>	Clear anodized Aluminum
<b>Case</b>	Engineered plastic
<b>Bezel</b>	Engineered plastic
<b>Lens</b>	Shatter-resistant acrylic
<b>Pointer</b>	Balanced Aluminum, black finish
<b>Dial</b>	Aluminum, white background with black scale
<b>Movement</b>	Magnetic
<b>Optional switch rating</b>	SPDT, 3W, 0.25 Amp, 125 Vac/Vdc (standard) (switch adjustable range of 15-95%). Other options available, consult factory.

ORDERING INFORMATION			
<b>GAUGE SIZES &amp; SERIES</b>	25 - 10 2-1/2"	45 - 10 4-1/2"	60 - 10 6"
<b>CONNECTION LOCATIONS</b>	0 Bottom	1 Back	2 Side
<b>CONNECTION SIZE</b>	2 1/4" NPT female	9 7/16-20 female (Back only)	
<b>PRESSURE RANGES *</b>	P5 0 psid to 5 psid	P20 0 psid to 20 psid	P50 0 psid to 50 psid P100 0 psid to 100 psid
	P10 0 psid to 10 psid	P25 0 psid to 25 psid	P60 0 psid to 60 psid P110 0 psid to 110 psid
	P15 0 psid to 15 psid	P30 0 psid to 30 psid	P75 0 psid to 75 psid
<b>SENSOR HOUSING MATERIALS</b>	A Aluminum (3,000 max working pressure)		S 316L Stainless Steel (6,000 max working pressure)
<b>O-RING MATERIALS</b>	1 PTFE	3 NBR	
	2 FKM	4 EPDM	
<b>CASE MATERIALS</b>	A Aluminum (4-1/2" only)		P Engineered plastic
<b>LENSES</b>	1 Shatter-resistant acrylic	2 Safety glass **	3 Maximum indicating pointer (MIP) ***
<b>FILL FLUID (optional)</b>	GY Glycerin	SL Silicone †	
<b>SWITCH OR TRANSMITTER TYPE &amp; HOUSING</b>	1 Single switch, flying leads with grommet wire seal	5 Single switch with Hirschman electrical connection	
	2 Dual switch, flying leads with grommet wire seal	6 Dual switch with Hirschman electrical connection	
	3 Single switch, flying leads with 1/4" female NPT, NEMA 4X	7 4-20 mA transmitter in NEMA 4x IP65 plastic enclosure with terminal strip (1/2" female NPT conduit connection)	
	4 Dual switch, flying leads with 1/4" female NPT, NEMA 4X		
<b>OPTIONS</b>	MH (2) 1/4-20 Mounting Holes		RP Reversed Ports
	MK5-CS Pipe Mounting Kit, Steel	ST Stainless Steel Tagging	
	MK5-SS Pipe Mounting Kit, Stainless Steel	WMK Wall Mounting Kit	

Please consult your local NOSHOK Distributor or NOSHOK, Inc. for availability and delivery information.

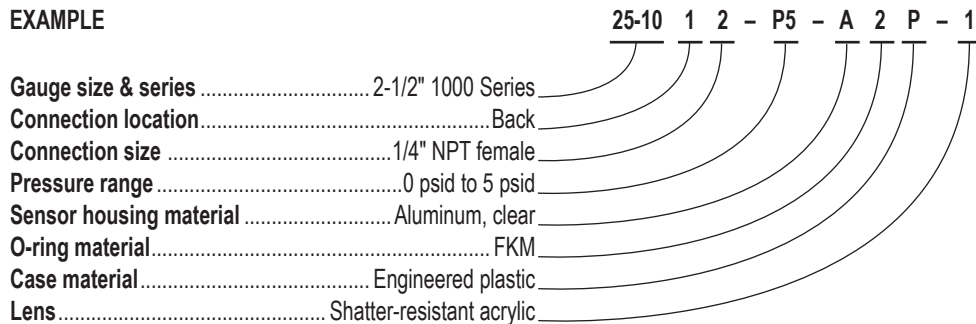
\* Other ranges and scales available on request.

\*\* Only available with dry, 4-1/2" gauge size with Aluminum case.

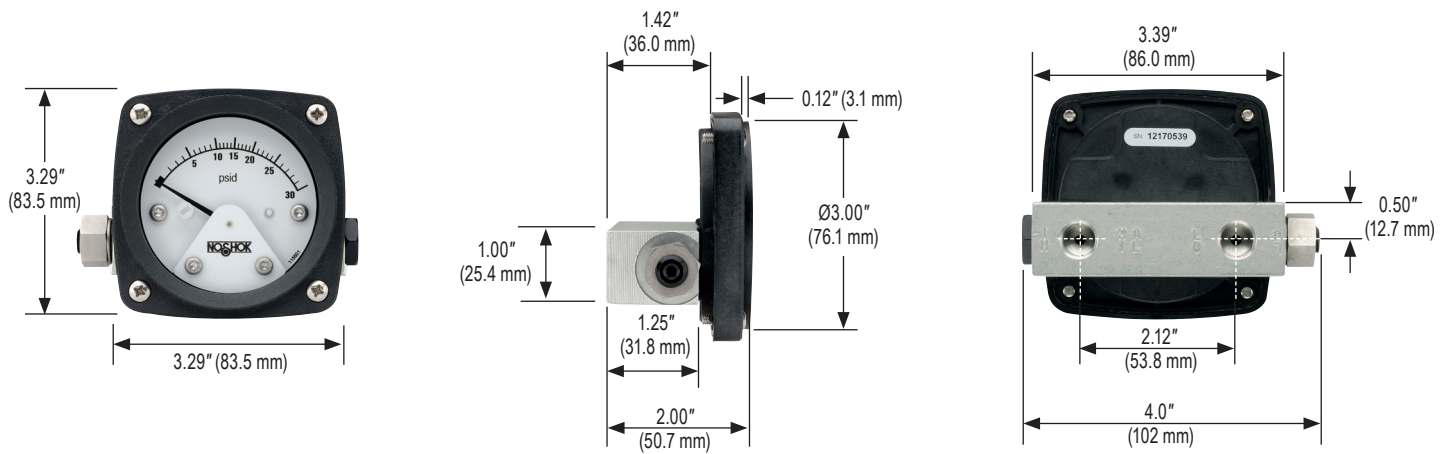
\*\*\* Available with dry gauge only, 2-1/2" and 4-1/2" gauge sizes only.

† Optional Silicone filling available with 2-1/2" and 6" gauge case sizes, and 4-1/2" gauge case size with Aluminum case and standard shatter-resistant acrylic lens only.

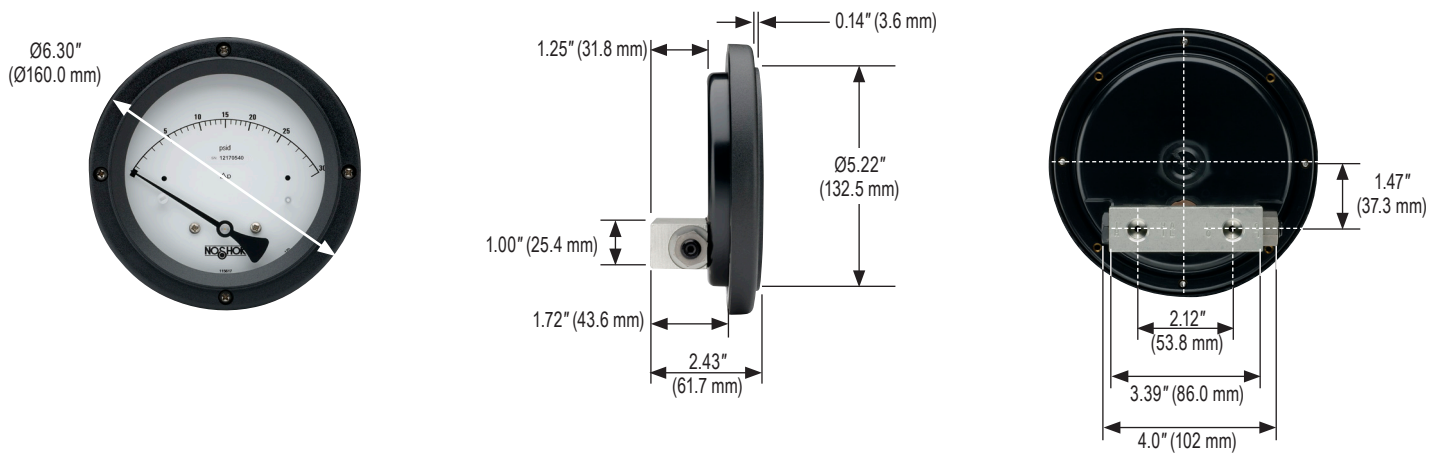
**EXAMPLE**



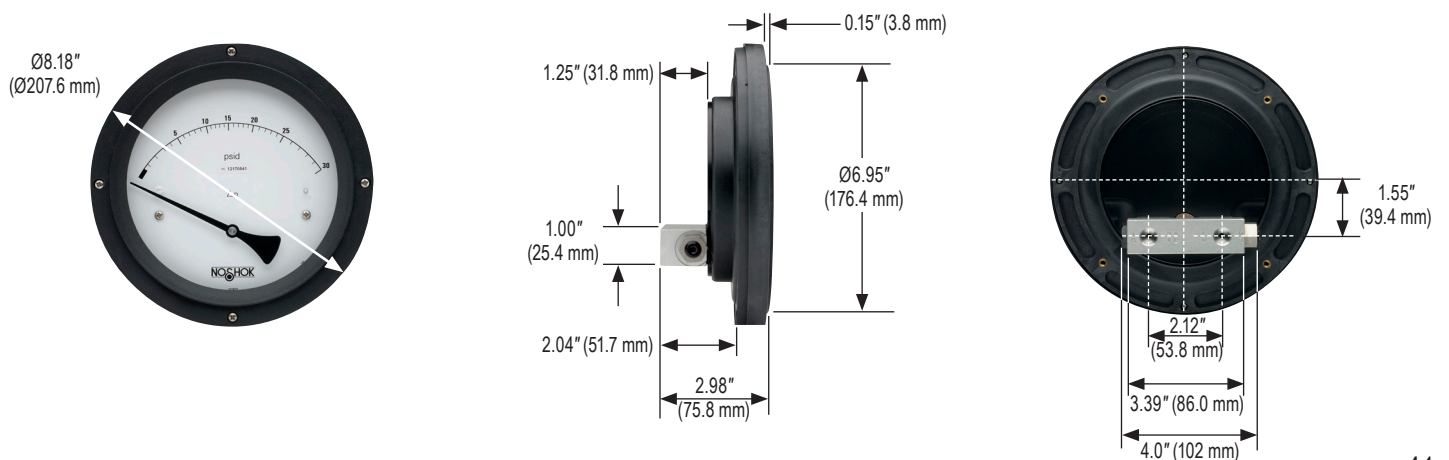
## 2-1/2" Gauge



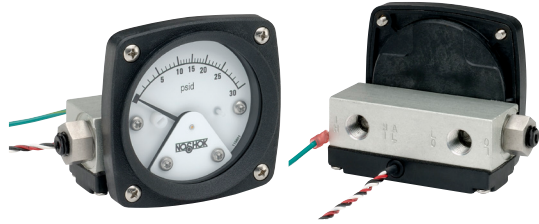
## 4-1/2" Gauge



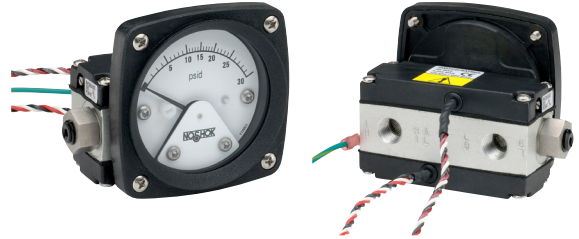
## 6" Gauge



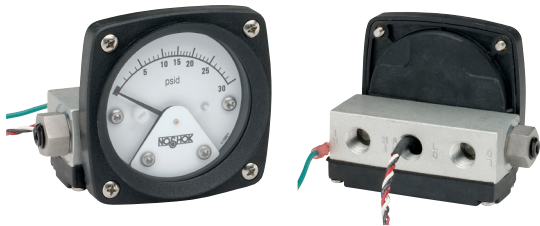
Single switch, flying leads with grommet wire seal



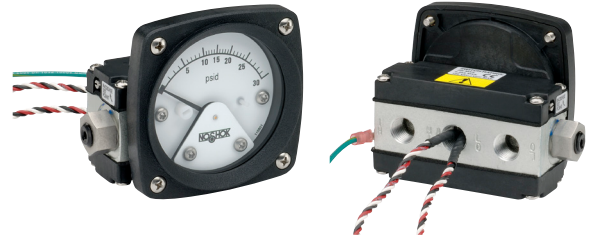
Dual switch, flying leads with grommet wire seal



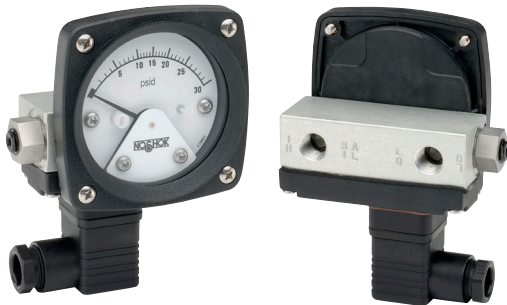
Single switch, flying leads with 1/4" female NPT, NEMA 4X



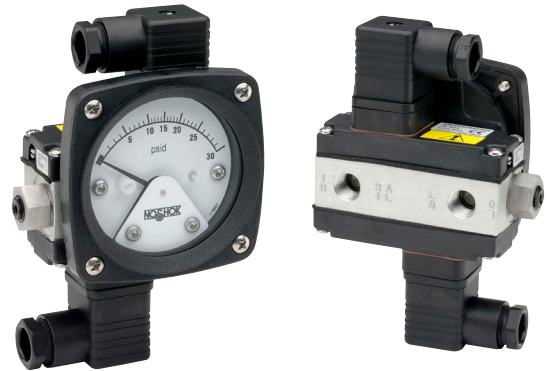
Dual switch, flying leads with 1/4" female NPT, NEMA 4X



Single switch with Hirschman electrical connection



Dual switch with Hirschman electrical connection



4-20 mA transmitter in NEMA 4x IP65 plastic enclosure with terminal strip (1/2" female NPT conduit connection)

